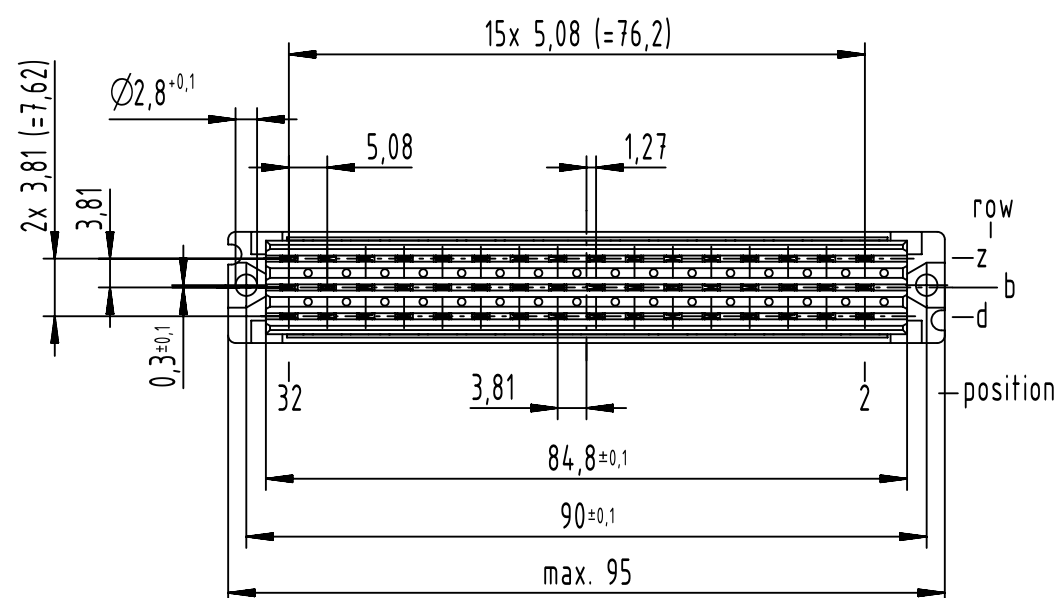
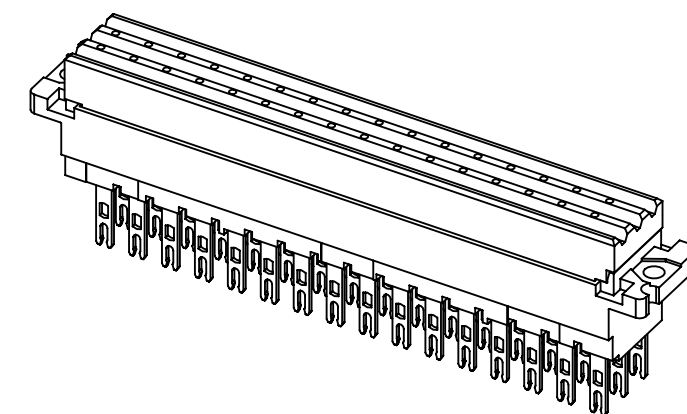
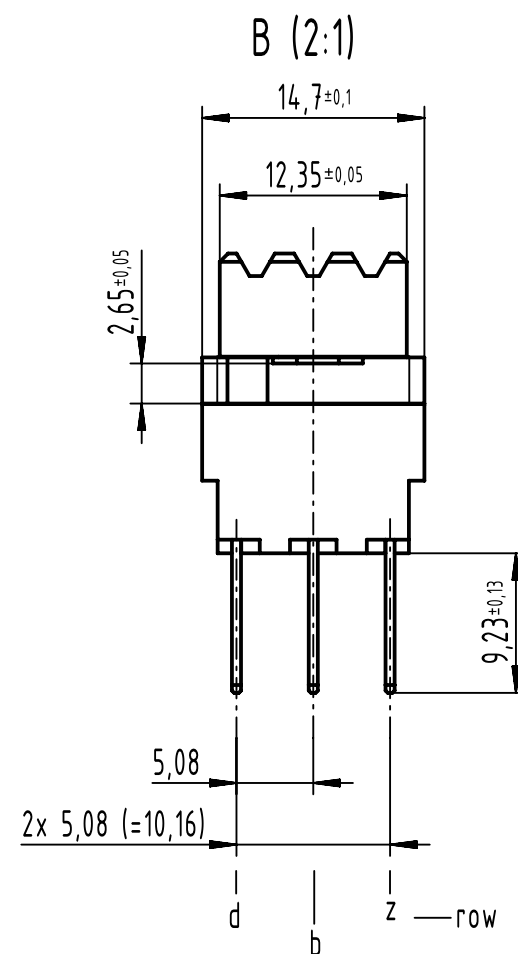
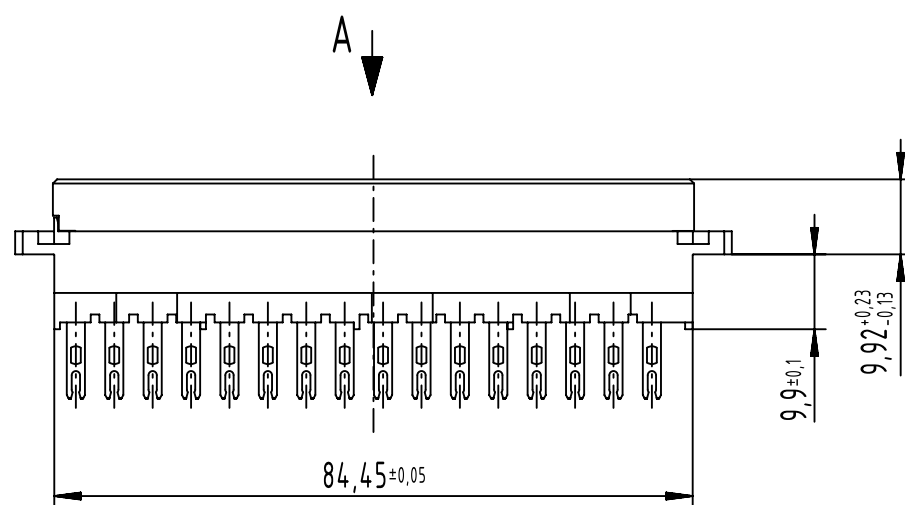


48 solder eye - contacts

■ = position with contact

□ = position without contact



further information see product data sheet

09 06 248 7823	3
09 06 248 6823	2
09 06 248 2823	1
part no.	performance level

	All Dimensions in mm Original Size DIN A3	Scale 1:1	Free size tol. IEC 60603-2	Ref. Sub. TB 09 06 248 X823 / Mod. 32645 / 30.08.2005	
	All rights reserved Department EL PD	Created by STORCK	Inspected by LEHNERT	Standardisation 302077	Date 2021-04-13
HARTING D-32339 Espelkamp	Title DIN Power type F female connector solder type B 48-pole				Doc-Key / ECM-Nr. 100102866/UGD/031/C 500000191610
	Type TB	Number 0906248X823		Rev. C	Page 1/1